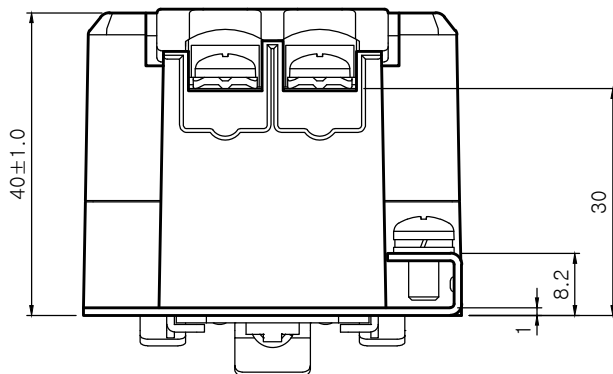
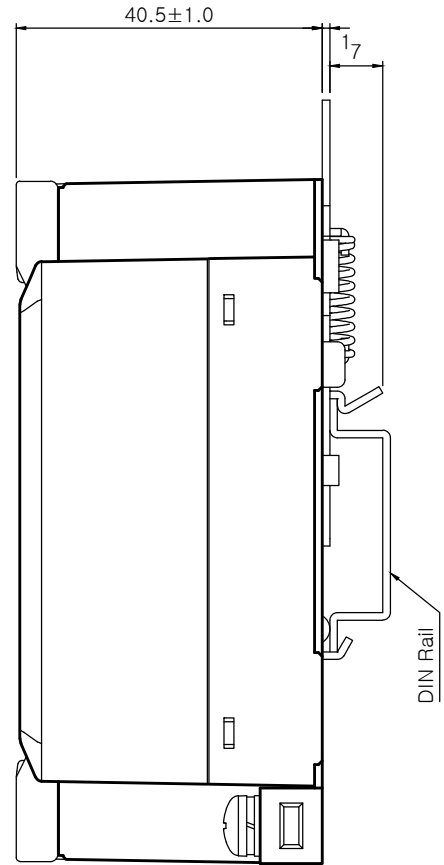
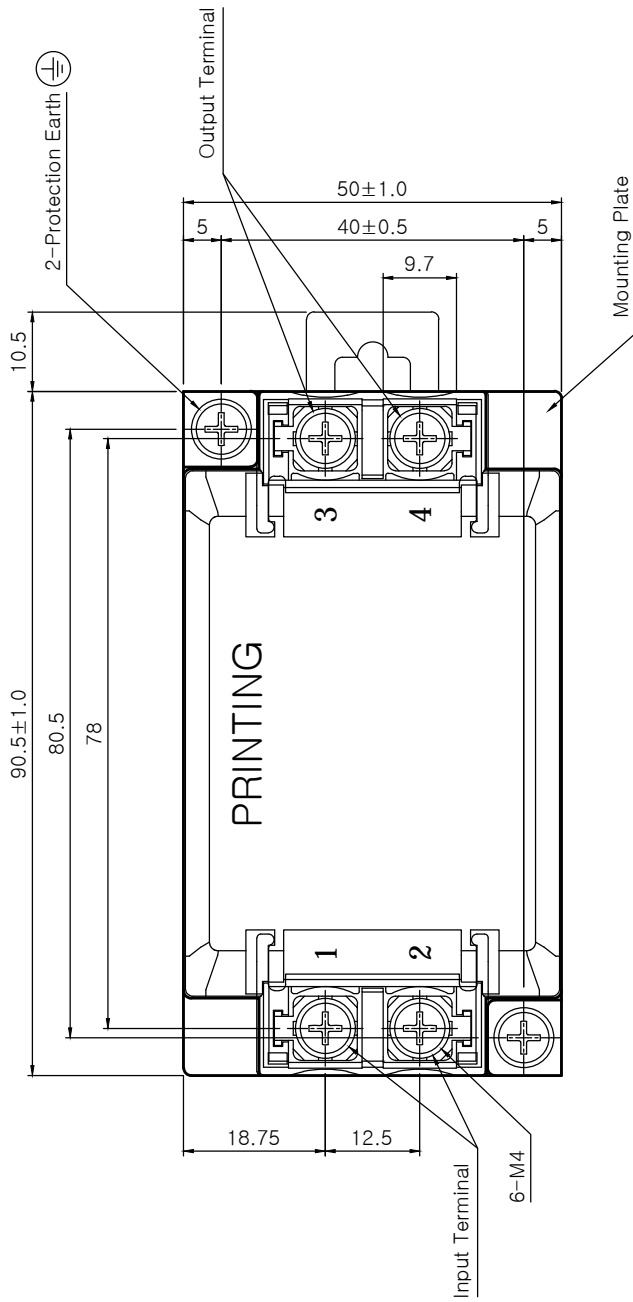


Dimension

RMS-2S-DIN



- * Weight : 210g
- * Tolerance : ±1
- * Dimensions in mm