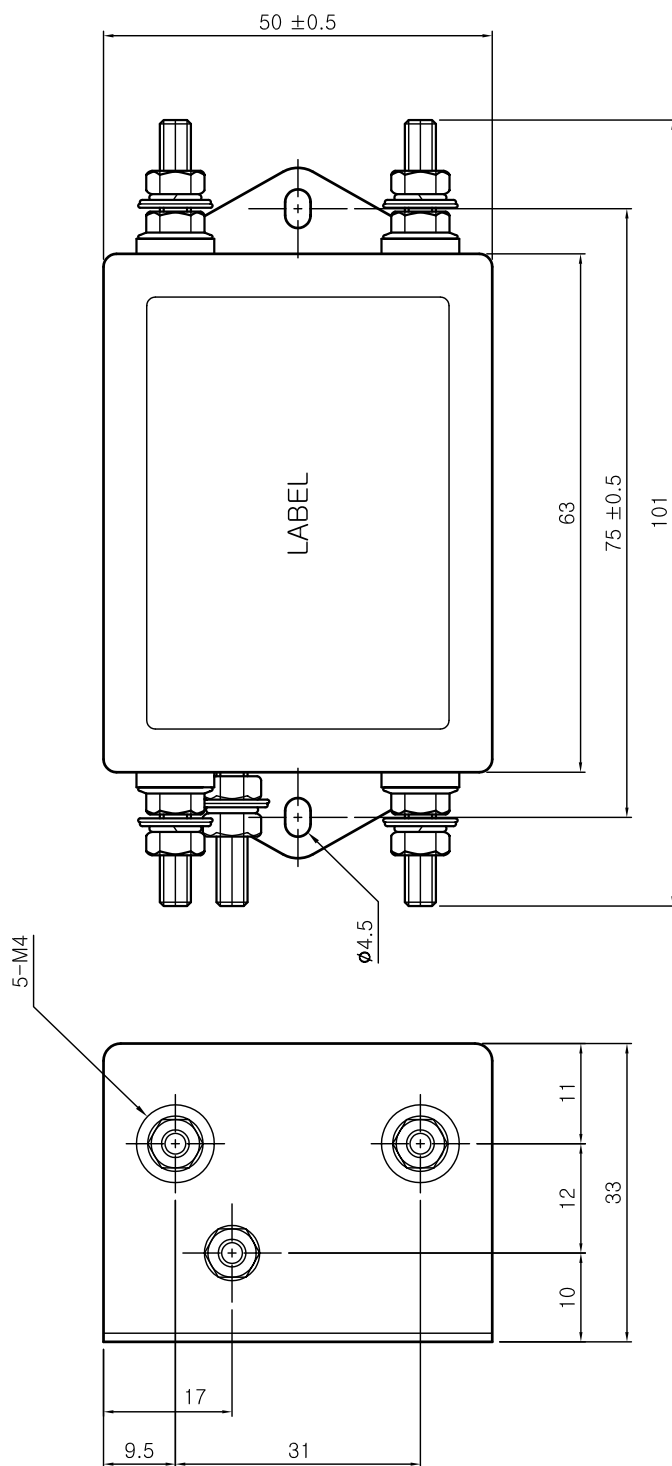


Dimension

SN-E Series



- * Tolerance : ± 0.5
- * Dimensions in mm